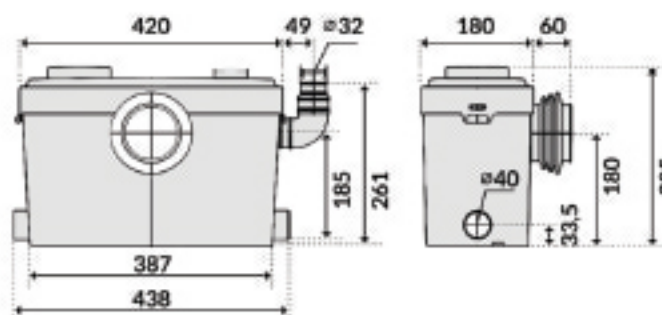




# SANIBO 5

Toilet pumps



Bathroom sewage pumping station. Many years of experience have allowed us to create a device of the highest quality, with an extremely wide range of applications. The main function of the device is to remove sewage from the toilet, however, thanks to the use of three inputs, it can be used to collect sewage, e.g. from a bathtub, washing machine and toilet. Main entrance – 100 mm – intended for a toilet, two 40 mm ones for a shower tray or washbasin and one 40 mm exit. The pump is characterized by extremely quiet operation, making it ideal for home use. SANIBO 5 has been equipped with plugs to cover unused inputs. The pump can also be used in the kitchen or laundry without having to connect the toilet. The pump is equipped with a float switch that automatically controls its operation – after filling the device, the pump will turn on automatically. The pump also has the option of manual start. An additional advantage of the device is the ability to pump liquids with a temperature of up to 40°C (shortly 60°C) for up to 2 minutes. The lifting height of 9.5 meters vertically and 100 meters horizontally completely eliminates the need for gravity drainage. The duty cycle is approx. 8 s. The SANIBO 5 pump, as the only branded device available on the market, is equipped with a motor housing, stainless steel basket and grinder, which guarantees reliability, and the high-power pump motor has built-in thermal protection. The device is made according to the highest European standards.

**The set includes:**

- Toilet pump with grinder
- A set of end caps: × 2 (40 mm), × 1 (100 mm).
- Check valves × 1
- Clamp set × 8

**Application:**

Rooms in the household without the technical possibility of connecting sanitary devices to the gravitational sanitary sewage system – cellars, attics and other rooms converted for sanitary purposes. Pumping water and sewage wherever the toilet, sink or shower tray is located outside the sewage riser or below the level of sewage outflow from the building.

Link to the video:

<https://www.youtube.com/watch?v=dofSLSY6tns>



See the operation and construction of the pump at:  
<http://bit.ly/sanibo>



Model	Lift (m)	Capacity (l/min)	Tank capacity (l)	Voltage (V)	Motor power (W)	Dimensions L/H/W (cm)	Weight (kg)	Max temp. (°C)	Ingress protection	Liquid pH
SANIBO 5	9,5	150	6	230	600	44 × 29 × 24	8,5	40 (60)*	IP 44	4-10

\* Short term 90°C up to 2 min.